

Air Release Valve

Model: 80-01



- The SB Air Release Valves can remove all pockets of air quickly which entrained in a water transmission.
- Stainless steel trim assures low maintenance.
- Stainless steel floats unconditionally guaranteed.
- Easily maintained without special tools.
- Complete interchangeability of all parts.

Material of Construction

Body: Cast Iron

Cover: Cast Iron

Float: Stainless Steel

Seat: Stainless Steel

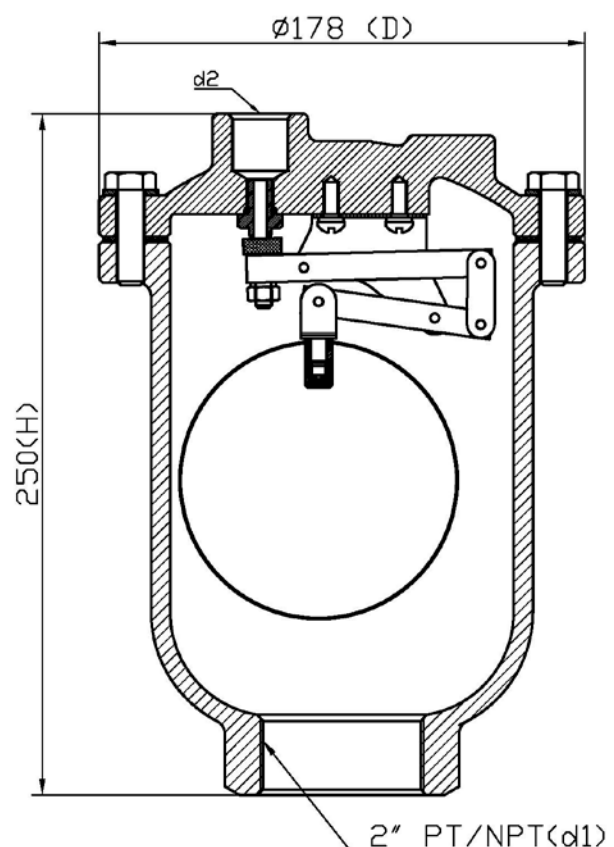
Gasket: EPDM/VITON

Other Features

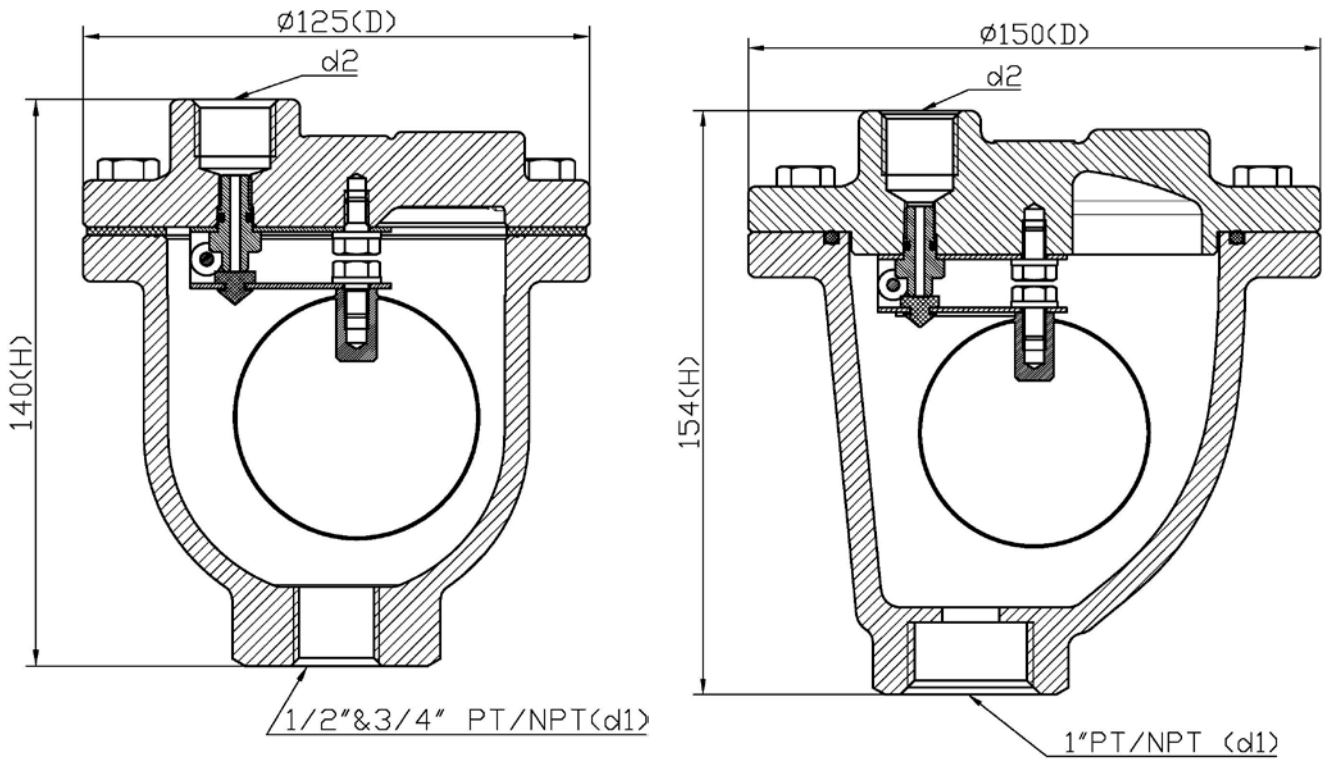
Max working Pressure: 12 kgf/cm²
175 PSI

Max working temperature: 120°C/220°C

Dimensions



Model: 80-01



SIZE	D	H	d1	d2
1/2"	125	140	1/2" BSP/NPT	3/8" OR 1/2" PT/ NPT
3/4"	125	140	3/4" BSP/NPT	
1"	150	154	1" BSP/NPT	
2"	178	250	2" BSP/NPT	