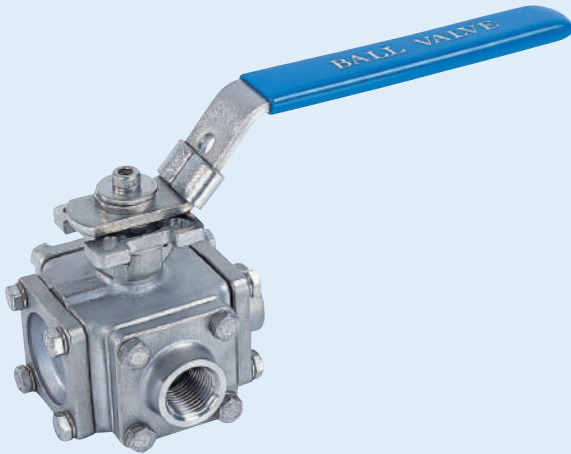


V-4WAY TYPE

SIZE : 1/4" ~ 2"



NEW

DIRECT MOUNTING PAD

STAINLESS STEEL

AISI-316 (EN10213-4 1.4408) (ASTM-A351-CF8M)

AISI-304 (EN10213-4 1.4308) (ASTM-A351-CF8)

CARBON STEEL

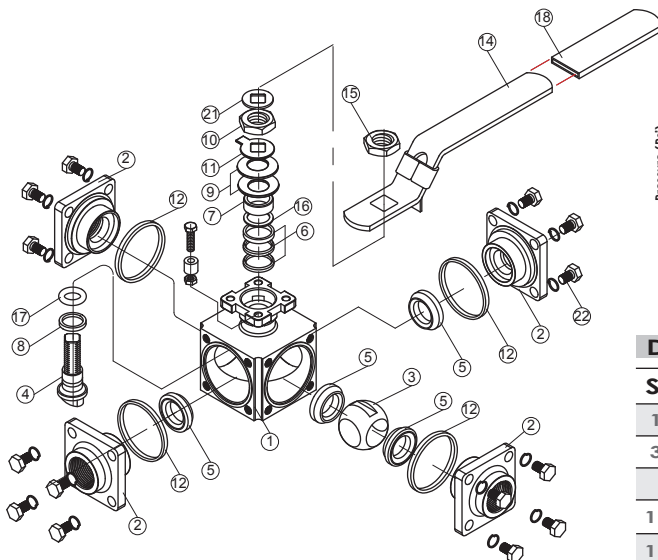
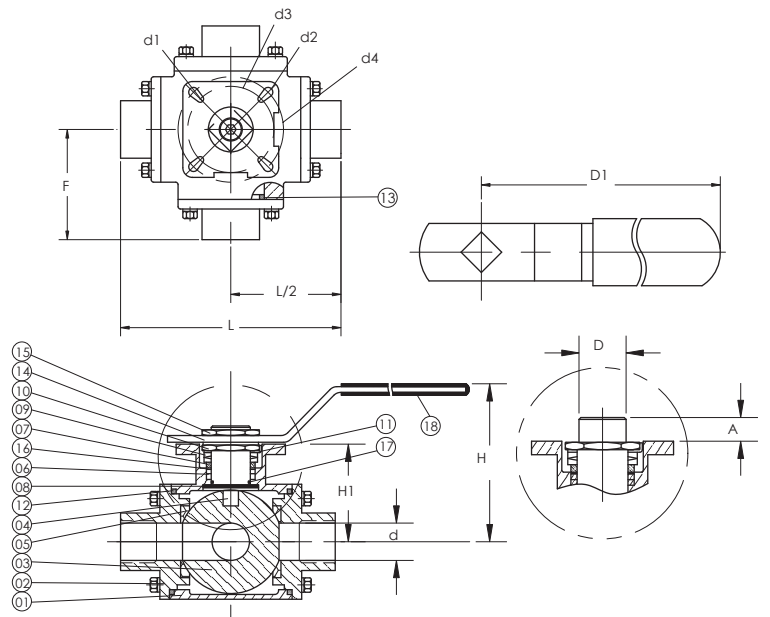
S-20C (EN10213-2 1.0619) (ASTM-A216-WCB)

FEATURES:

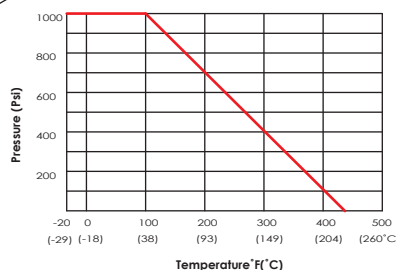
- *Anti-static device
- *Blow-out proof stem, Lever operated.
- *1000 PSI (69 BAR) W.O.G.
- *L port, T port, X port

OPTION: Locking device
Direct Mounting Pad ISO 5211
3-Way ball valve

ITEM	PART	QTY	MATERIAL
1	BODY	1	ASTM-A351-CF8M
2	CAP	4	ASTM-A351-CF8M
3	BALL	1	ASTM-A351-CF8M
4	STEM	1	S.S.316
5	BALL SEATS	4	PTFE
6	STEM PACKING	1	PTFE 15% G/F
7	GLAND BUSH	1	S.S.304
8	THRUST WASHER	1	PTFE 15% G/F
9	BEVELILLE WASHER	2	SUS304-CSP
10	HANDLE NUT	1	S.S.304
11	STOP	1	S.S.304
12	GASRET	1	RPTFE
13	GASKET	4	PTFE
14	HANDLE	1	S.S.304
15	HANDLE NUT	1	S.S.304
16	THRUSP WASHER	1	S.S.304
17	O-RING	1	VITON
18	HANDLE SLEEVE	3	PLASTIC



PRESSURE TEMPERATURE RATINGS



PORT TYPE	1	2	3	4
L				
T				
X				

DIMENSIONS

UNIT:mm

SIZE	d	L	H	D1	A	D	F	d1	d2	d3	d4	H1	Nm
1/2"	16	96	89	133	7.5	9	48	R3.0	R3.0	36	42	50	5.5
3/4"	20	107	98	178.5	11	11	53.5	R3.0	R3.5	42	50	59.5	8
1"	25	126	102	178.5	11.5	11	63	R3.0	R3.5	42	50	63.5	11
1 1/4"	32	133	118.5	230	15.2	14	66.5	R3.5	R4.6	50	70	79.5	15
1 1/2"	38	151	127	230	14.3	14	75.5	R3.5	R4.6	50	70	88	20
2"	50	166	139	280	17.8	17	83	R4.6	R5.7	70	102	105	29